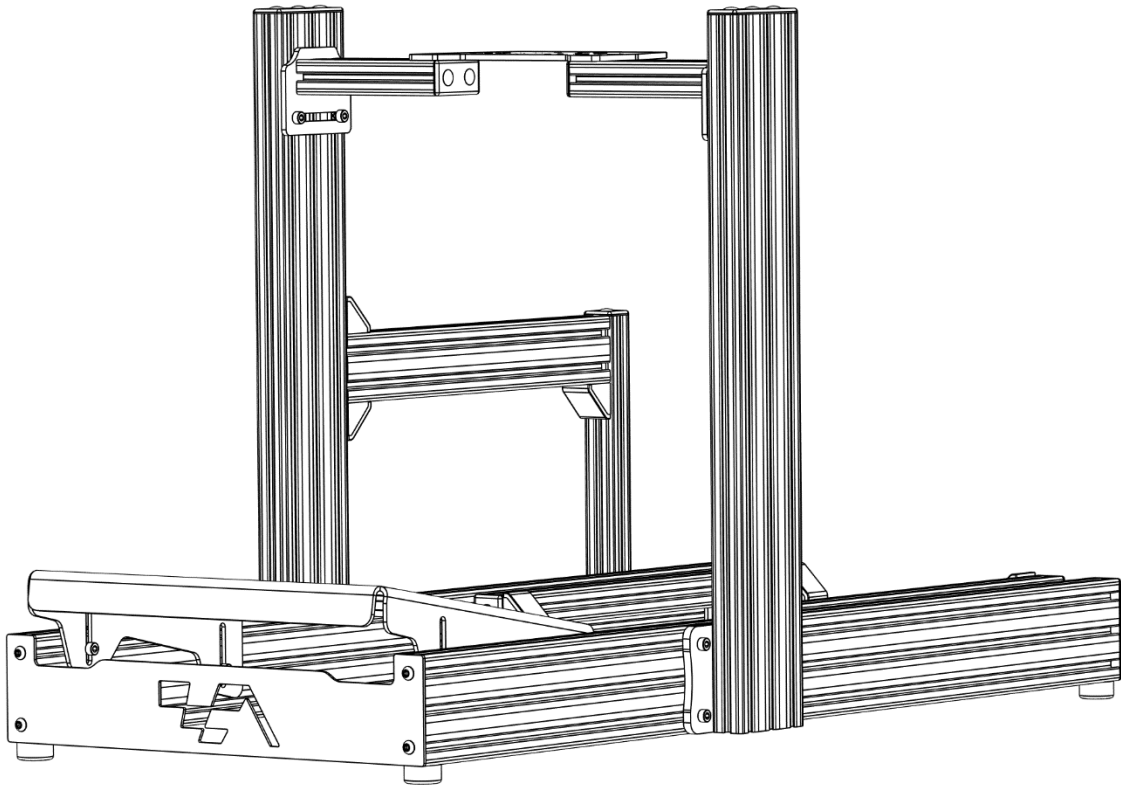


ADVANCED *Sim Racing*



ASR4 Chassis

ASSEMBLY AND USER GUIDE

Table of Contents

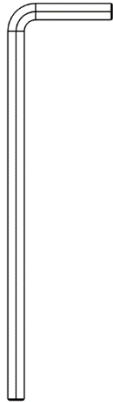
Required Tools.....	1
Content of packages	2
Common Content.....	2
Wheel Deck Components.....	4
Assembly guide.....	5
Main Chassis	5
Pedal Tray	18
Wheel Deck.....	19
Seat Install	20
Adjustable feet Add-on	21
T-Nut install tip.....	22
User Guide	23
Pedal tray adjustment.....	23
Wheel deck adjustment.....	24
Accessories	25

Required Tools

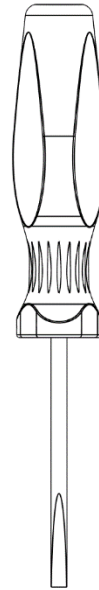
6mm Allen key



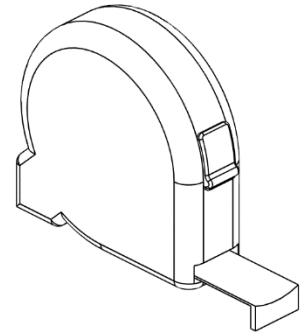
5mm Allen Key



Flathead screwdriver



Tape Measure



For questions, issues or comments, feel free to reach our support team!

<https://www.advancedsimracing.com/pages/advanced-help-center>

Content of packages

Boxes

3X Chassis boxes, 1X Hardware box ,1X Pedal tray box ,1X Wheel deck box

Common Content

Front Plate - 1X

M8 X 12 button head screw - 4X

Corner Gusset & Cover 16X each

M8 X 16 Hex screws - 56X

M8 T-Nuts - 64X

Shifter arm lower bracket - 1X

Up Post plate - 2X

Rubber Foot 4X

M6X20 Hex Screw 4X

M6 T-Nut 4X

2X	2X	3X	2X	1X
50"	30"	19"	22"	16"
Extrusions				

4.5" End Cap - 4X

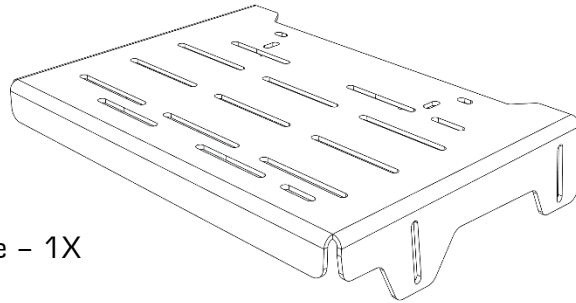
3" End Cap - 1X

1.5" End Cap - 5X

Push Pin - 21X

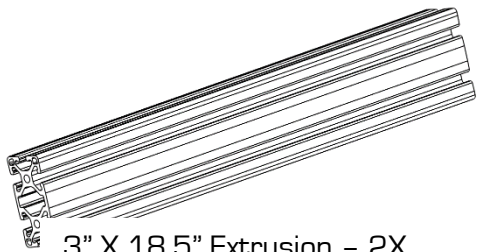
Pedal Tray Components

Steel Pedal Tray specific components

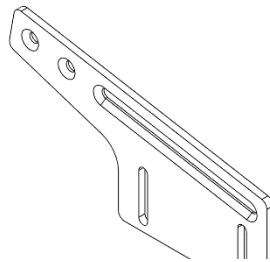


Steel Pedal Plate - 1X

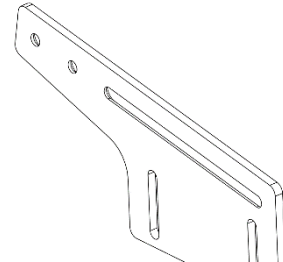
Aluminium Pedal Tray/heel rest/adjustable feet combo specific components



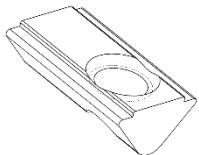
3" X 18.5" Extrusion - 2X



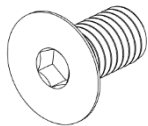
Pedal Tray Side Plate
Left - 1X



Pedal Tray Side Plate
Right - 1X



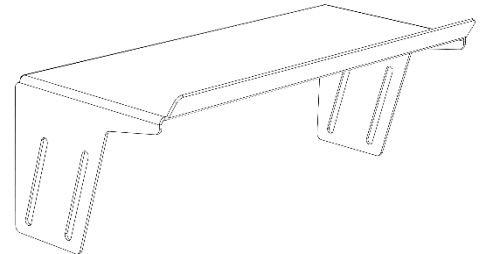
M8 T-Nuts - 16X



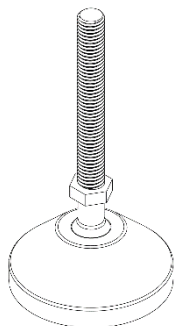
M8 Flat Head
Screw - 8X



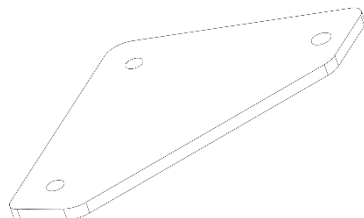
M8 X 12 Socket
Head Screw - 4X



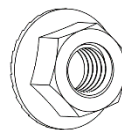
Heel Rest plate - 1X



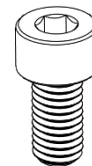
Leveling foot
4X



Leveling foot plate
4X

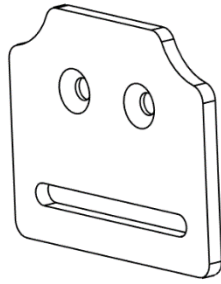


M10 flange locknut
8X

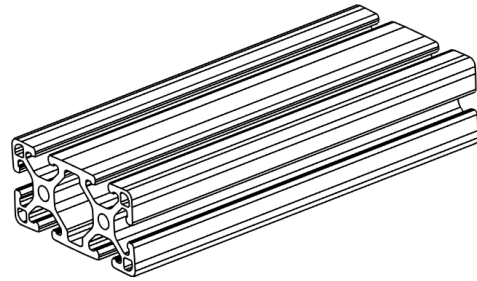


M8 X 16
Hex screws - 20X

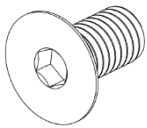
Wheel Deck Components



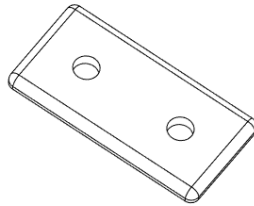
Deck to Up Post plate - 2X



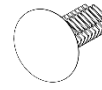
3" X 7.5" Extrusion - 2X



M8 X 16 Flat Head
Screw - 8X



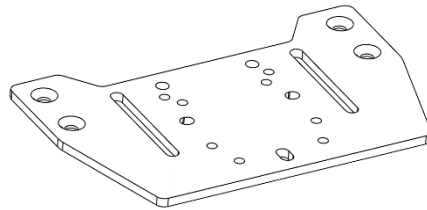
3" End Cap - 2X



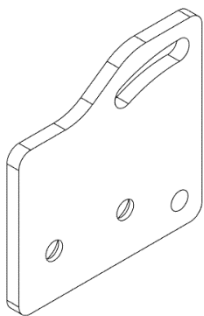
Push Pin - 4X

Option 1: Standard Wheel Deck

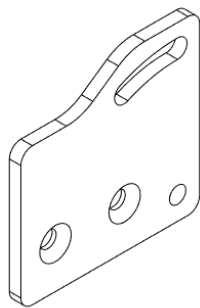
Standard Mount - 1X



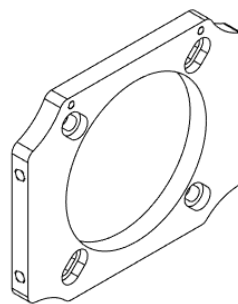
Option 2: Direct Drive Wheel Deck



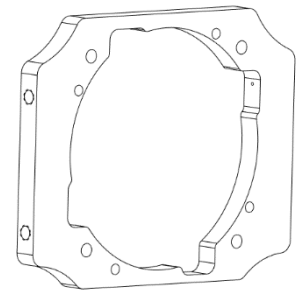
Left DD plate - 1X



Right DD plate - 1X



Front DD plate - 1X **OR**



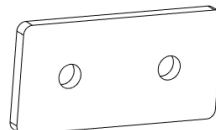
Asetek plate - 1X
(if Asetek is selected
at checkout)

M8 X 12 Button
head screw - 4X



Option 3: Fanatec Wheel Addon to Direct Drive Wheel Deck

Side plate spacer for Fanatec CSL DD - 2X



Assembly guide

Main Chassis

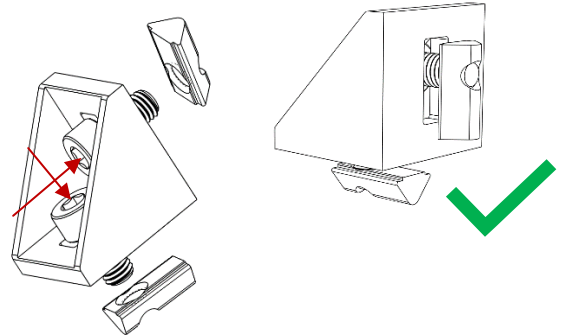
1.

Assemble 8 X corner gussets

with 2 M8 screws and 2 M8 T-Nuts.

Screw in the T-Nuts no more than $\frac{1}{2}$ a turn.

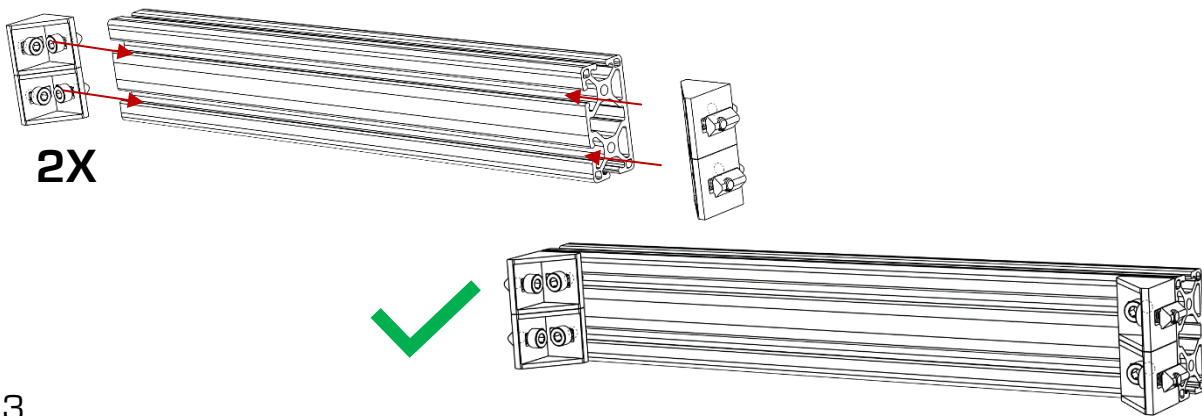
Make sure to respect the shown orientation of the T-Nuts for trouble-free assembly.



2.

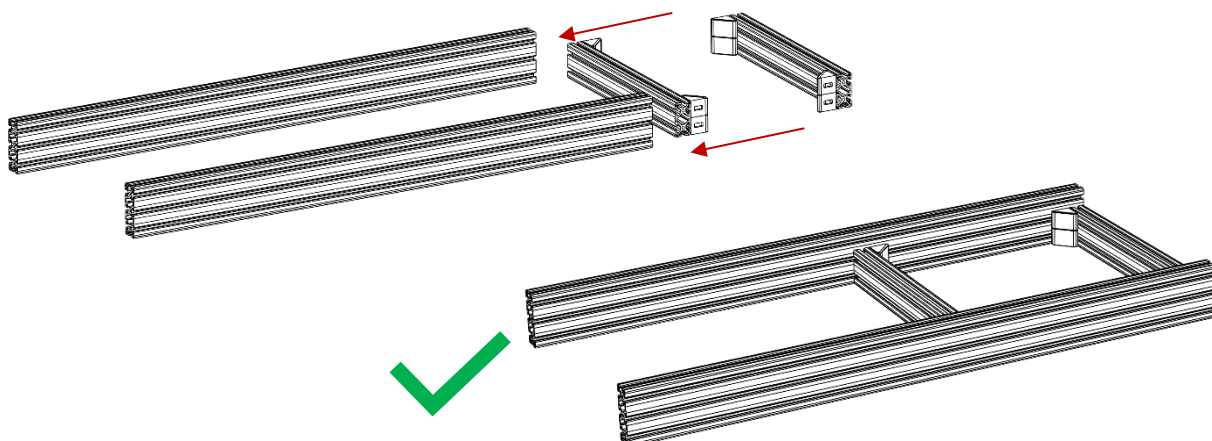
Slide the gussets on either side of the 19" x 3" extrusion. Repeat twice.

Tighten the screws fully using a 6mm allen key.



3.

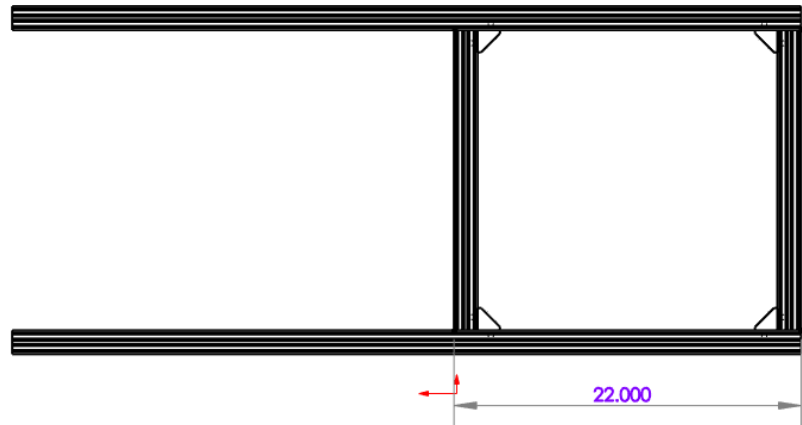
Slide the remaining open part of the gusset through the 50" x 4.5" extrusions.



4.

Measure 22" as shown
and tighten fully.

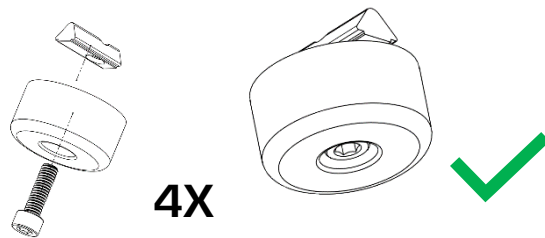
You can cap up the
Corner gussets.



5.

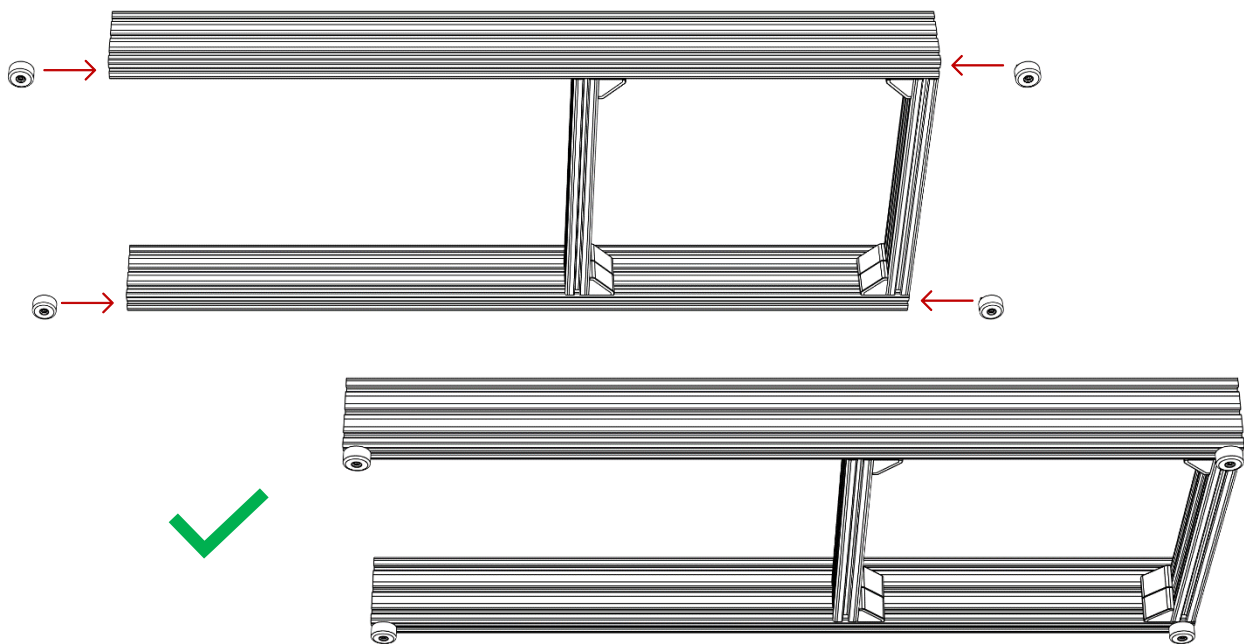
If using adjustable legs, follow the “Adjustable feet Add-on” instruction at the end of the manual and skip to step 7

Loosely assemble the rubber
feet with the M6 X 20 screw
and M6 T-Nut.



6.

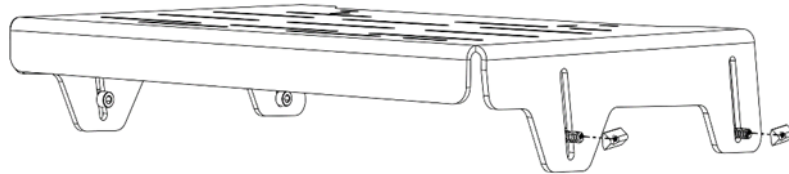
Slide the rubber feet through the bottom slot on the 4.5" X 50" Extrusions.



7. Follow the Pedal Tray Assembly section. The Steel pedal tray is shown, installation is also valid for the aluminium pedal tray.

8.

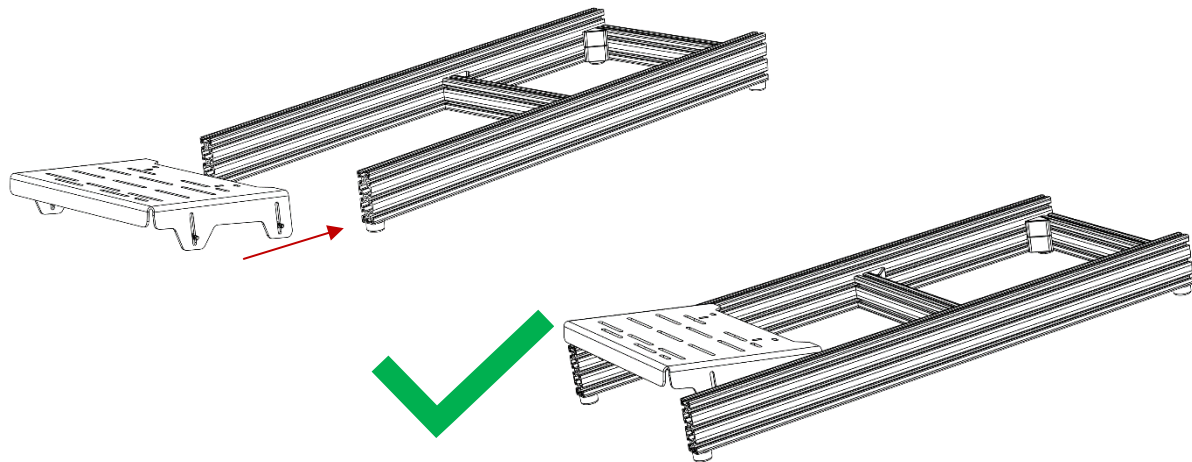
Assemble 4 X M8 X 16 Socket screws and 4X M8 T-Nuts on the pedal tray sides. Screw in the T-Nuts no more than a turn.



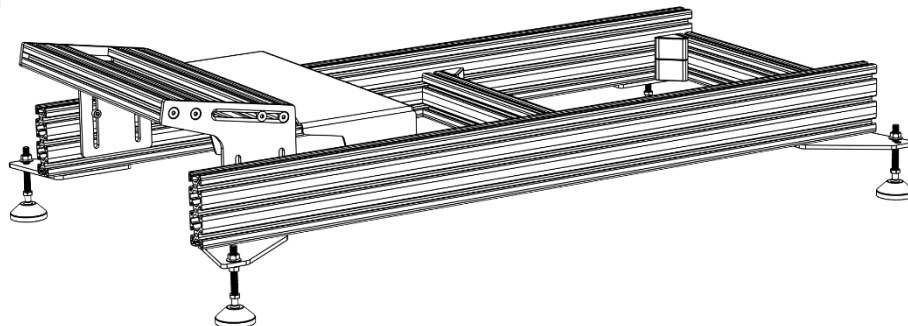
9.

Slide the pedal tray through the 50" Extrusions. Slide through the top slot for the highest adjustments capabilities, or the bottom slot for the lowest adjustments. Tighten it snug for the moment, but only fully tighten after positioning your pedals.

If using the aluminium pedal plate, slide the heel rest first in the same fashion, then the pedal tray.

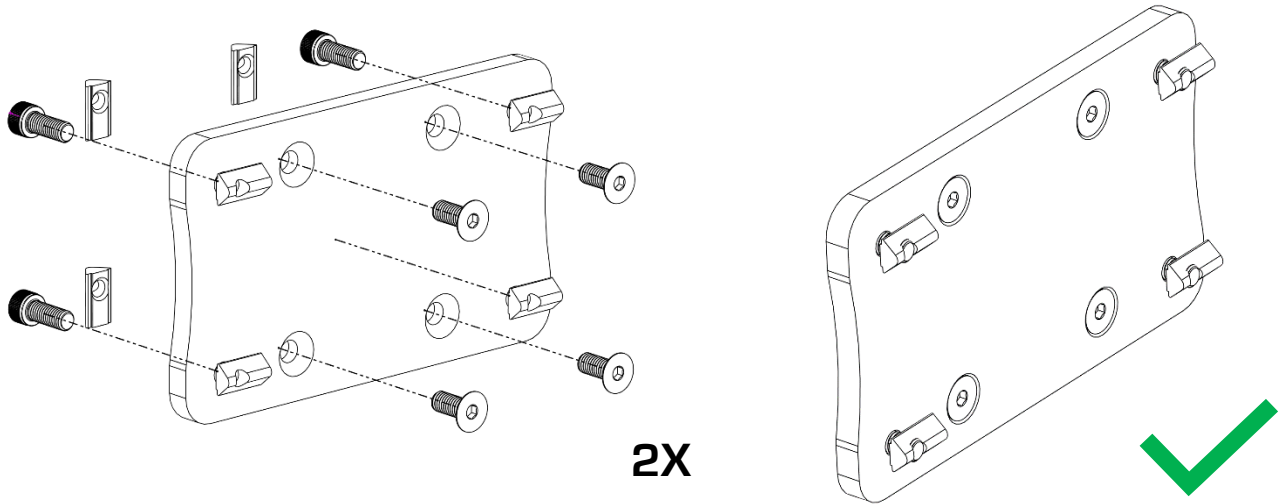


With the Aluminium pedal tray upgrade kit, you should be at this stage. The remaining steps are all the same.



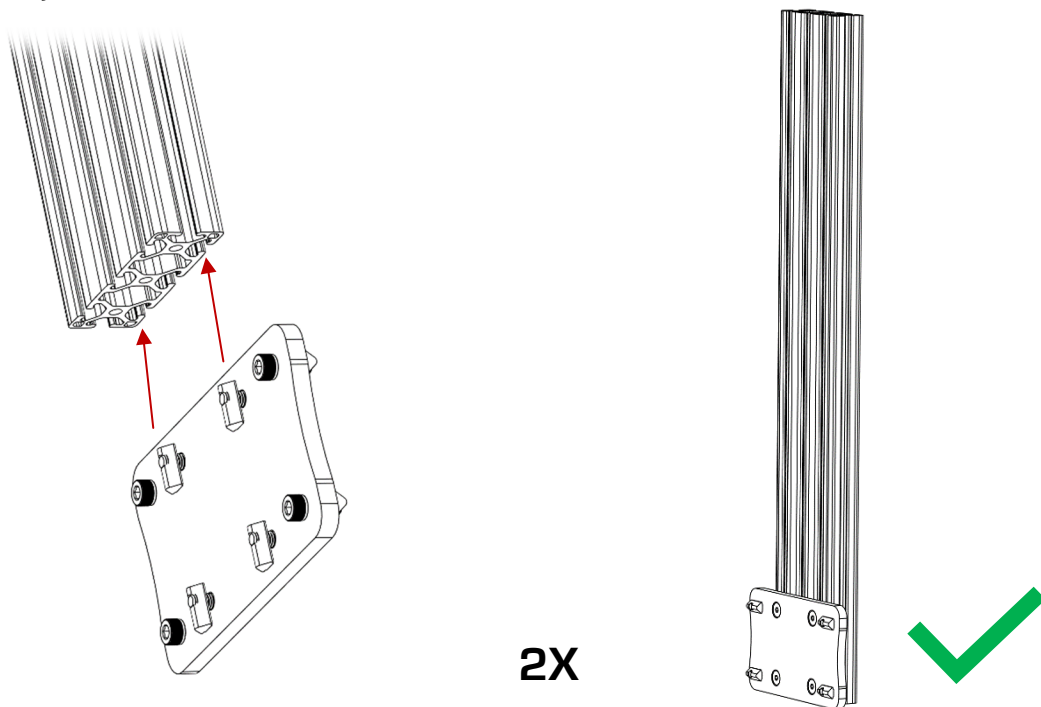
10.

Assemble the up-post plate using 4X M8 X 20 flat head screws through the conical holes, 4X M8 X 20 socket screws from the opposite side and 8X M8 T-Nuts. Repeat for both plates.



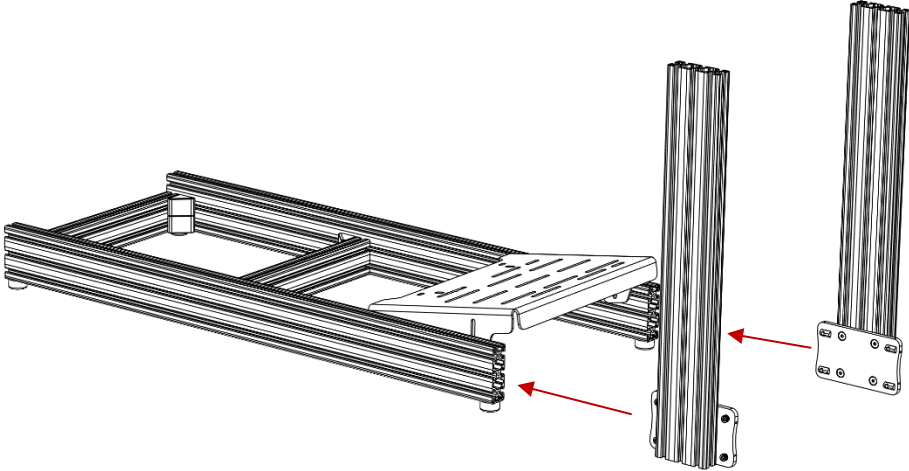
11.

Slide the plate through the bottom of the 4.5" X 30" extrusion. Repeat for both 30" extrusions. Place flush to the end of the extrusion and tighten the flat head screws fully.



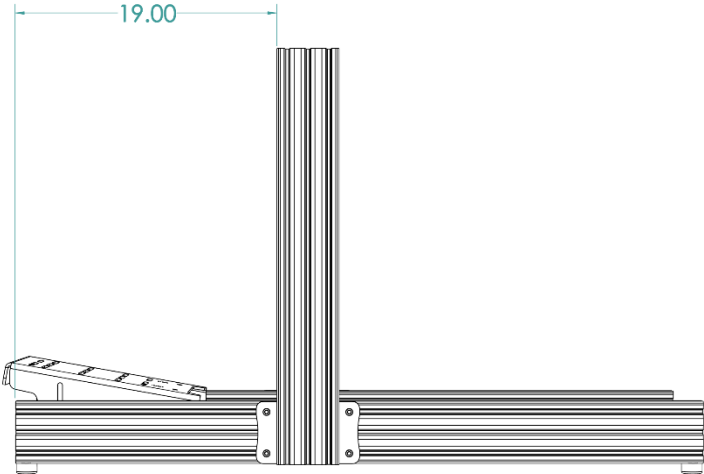
12.

Slide the assembled posts from the front, through the sides of the 4.5" X 50" extrusion.



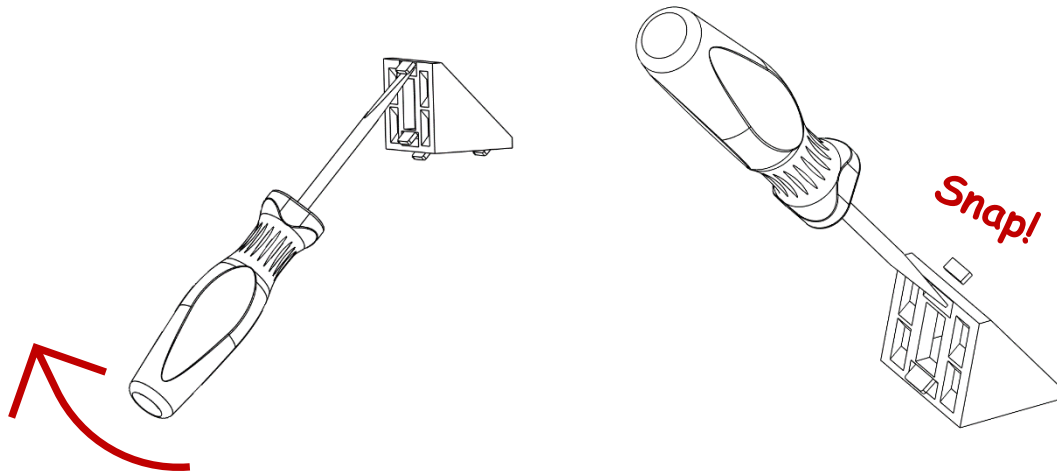
13.

Place the posts at 19" from the front. Don't tighten yet!



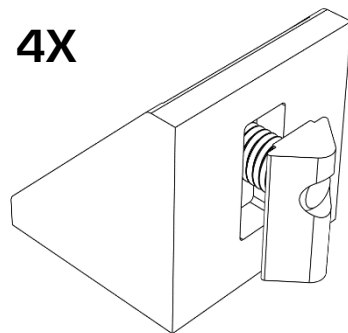
14.

Prepare 4 corner gussets with the following twist : Using the flathead screwdriver, slide the flathead under the small tab on the bottom, and pry out the tab. It will snap at the base. Snap off both tabs on one side.



15.

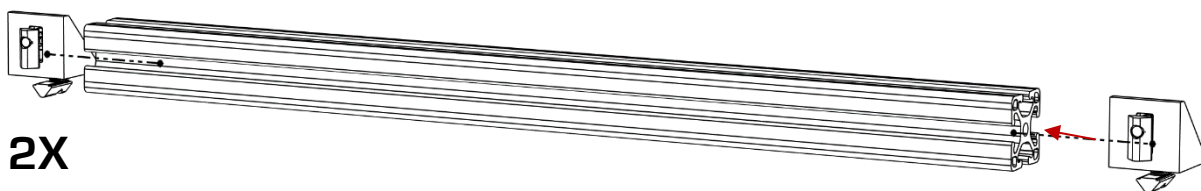
Prepare the snapped gussets with 1X M8 T-Nut and 1X M8 X 16 socket screw each, on the side where the tabs were broken off.



16.

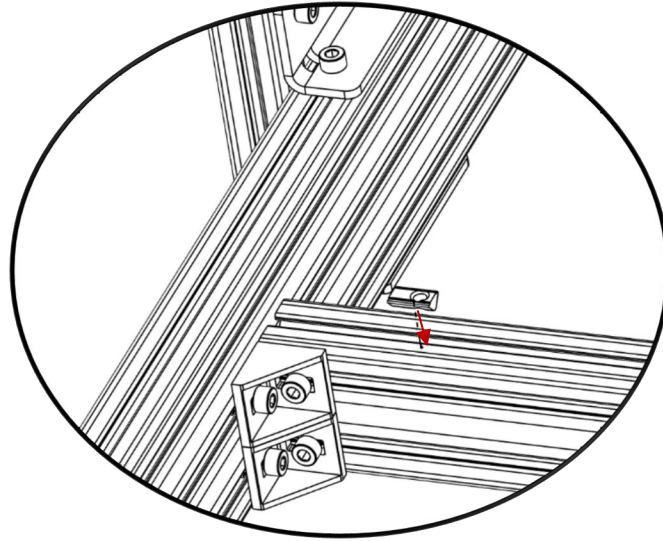
Place the gussets at each ends of the 1.5" X 22" extrusion. Repeat for both pieces. Make sure the gusset are place on the opposite side of the flat face.

Tighten Fully.



17.

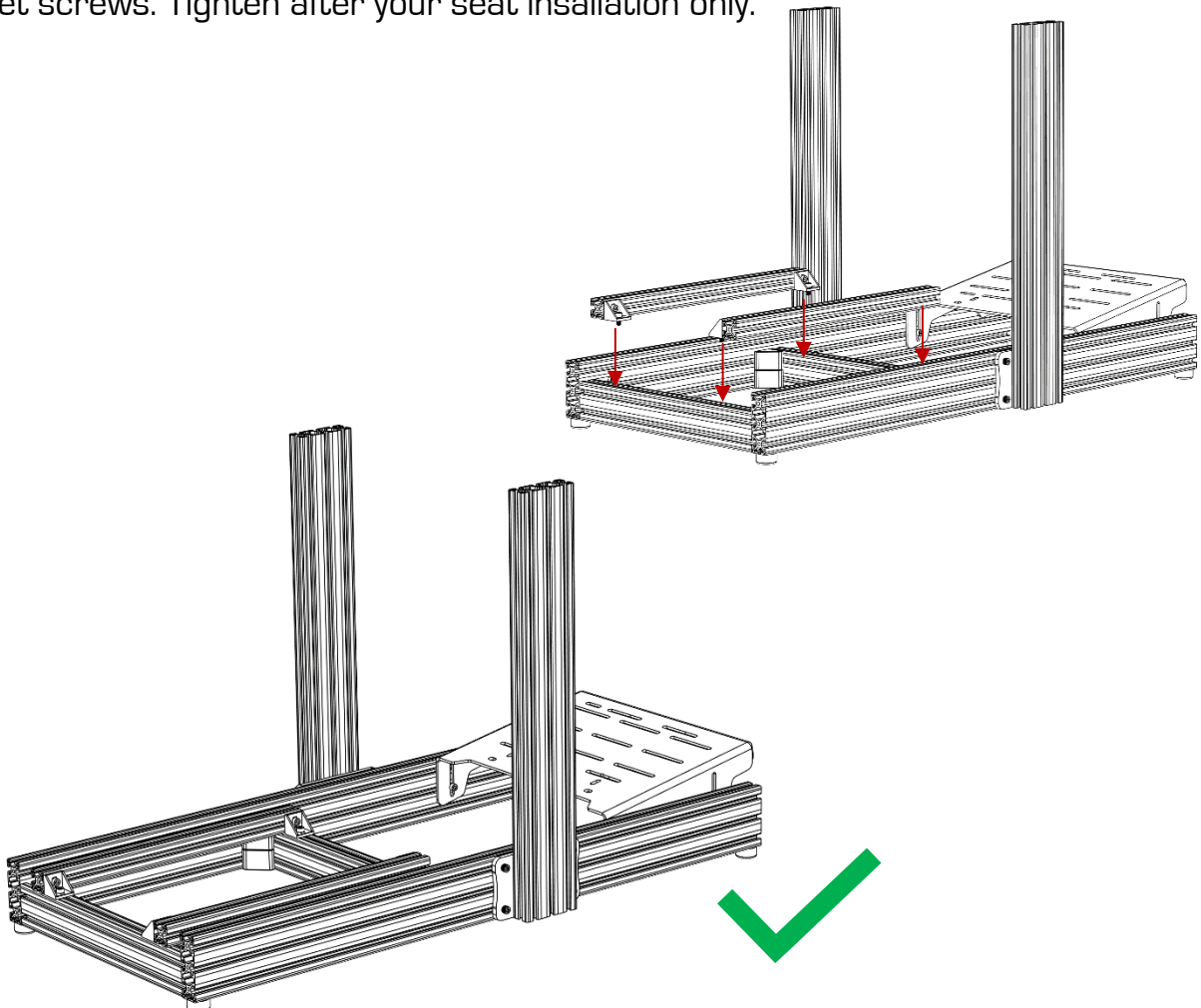
Place 2X T-Nuts on each of the 3" X 19" that run across. Use the technique at the page "T-Nut install tip" Further in this manual if you struggle with placing the t-nut!



4X

18.

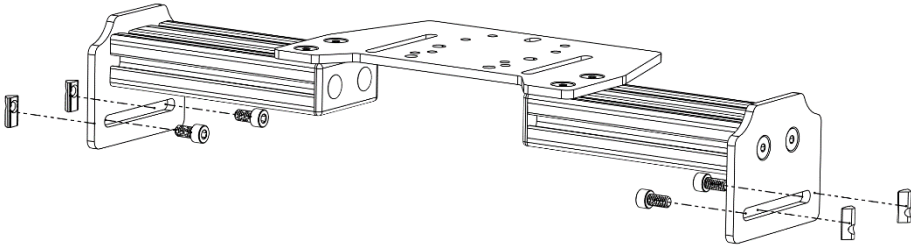
Loosely screw the 1.5" X 22" extrusions to the chassis using 4X M8 X 16 socket screws. Tighten after your seat insallation only.



19. Follow the Wheel Deck Assembly Section. Installation is the same whether you have the standard or Direct Drive Wheel Deck.

20.

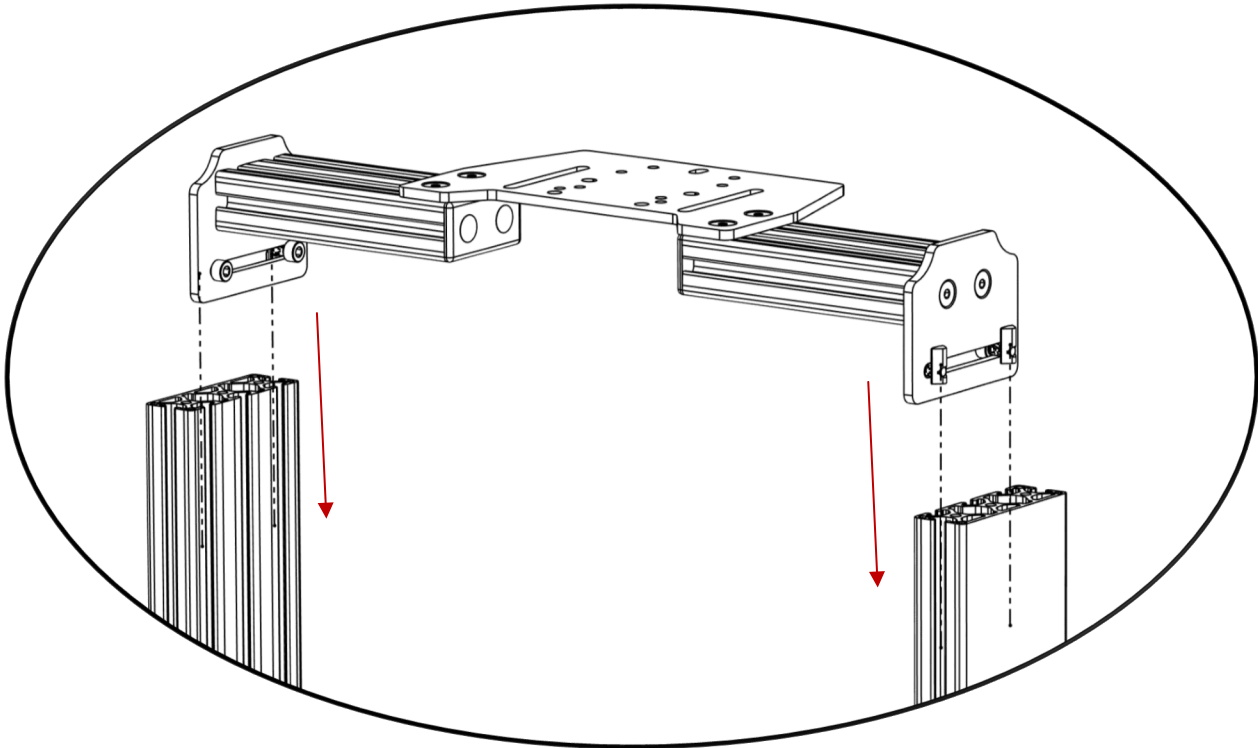
Prepare the Wheel Deck with 4X T-Nuts and 4X M8 X 16 socket screws. Screw in the T-Nuts no more than 1/2 a turn.



21.

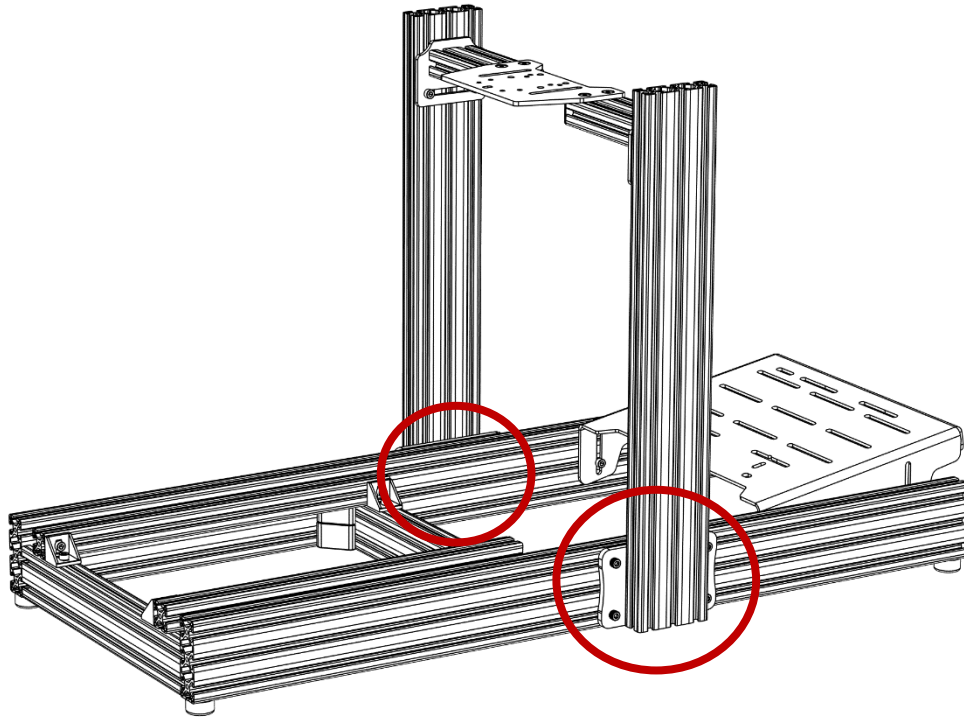
Slide the Wheel Deck through the top of the Up Post Channels. Fully tighten.

If the Wheel Deck seems too large for the gap, loosen further the two bottom plates holding the up-posts. It is made to fit.



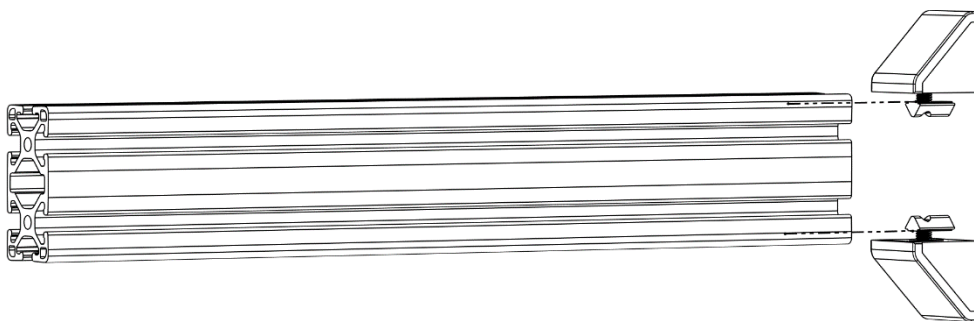
22.

Fully tighten the up-post plates.



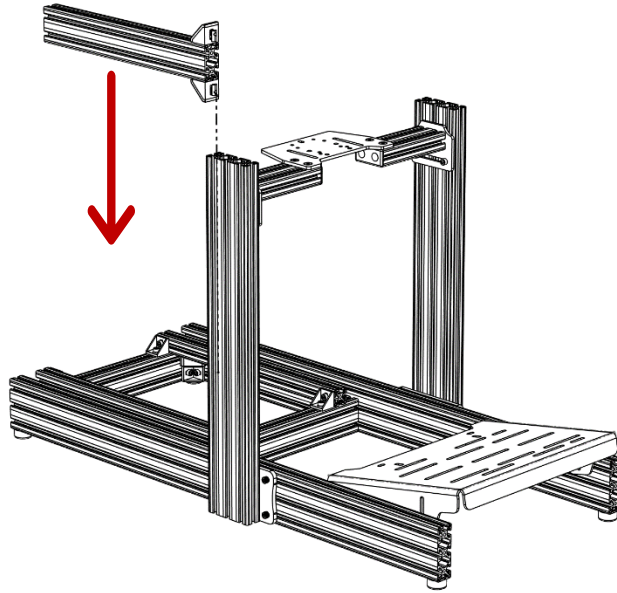
23.

Prepare 2X corner gussets with 2X M8 X 16 socket screws and 2X M8 T-Nuts. Slide them on either side of the 3" X 19" extrusion.



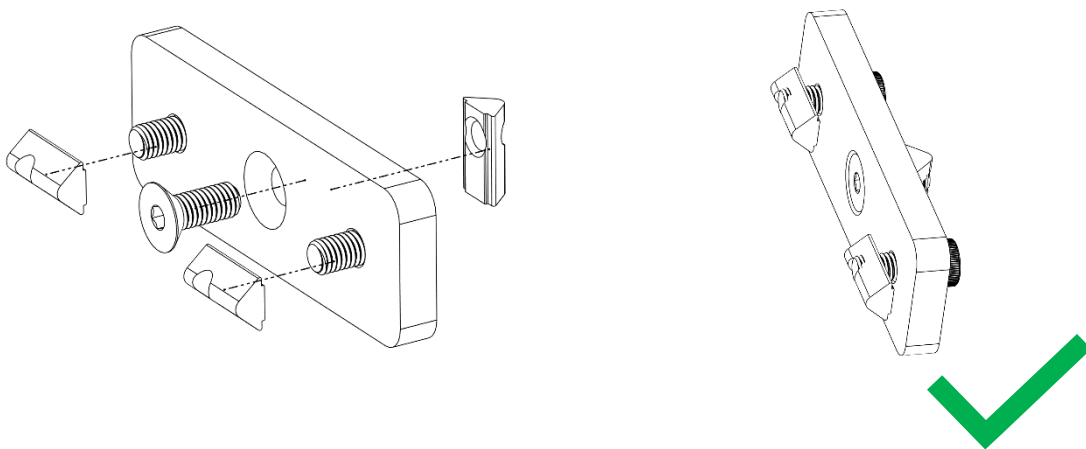
24.

Slide the assembled extrusion through the top of the desired up-post (depending if you want a RHD or LHD setup, a LHD setup is shown). Slide it down to about the middle, don't tighten yet.



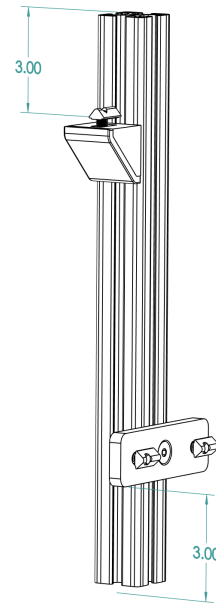
25.

Prepare the shifter arm lower bracket with 1X M8 X 20 flat head screw, 2 M8 X 20 socket head screws and 3X M8 T-Nuts.



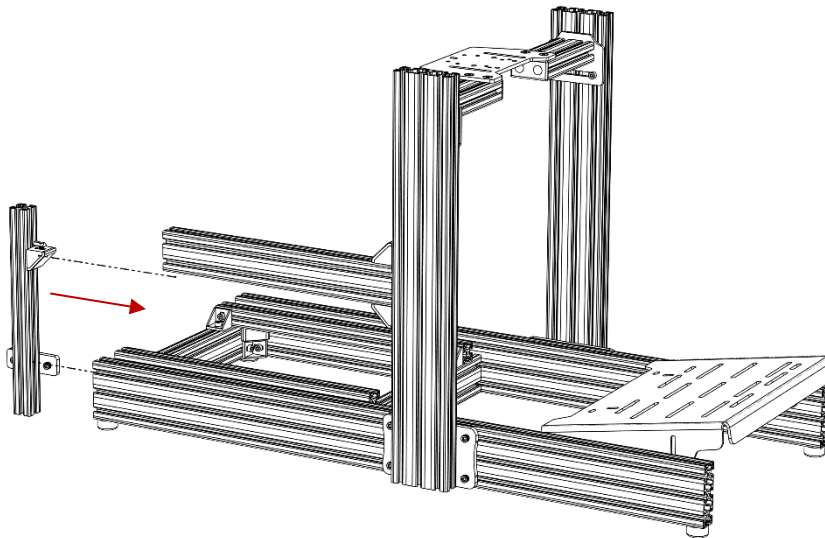
26.

Attach the shifter arm bracket to the 1.5" X 16" extrusion. Tighten at 3" from the end of the extrusion. Then prepare and place a corner gusset at 3" from the other end on the extrusion, as shown. Tighten fully to the extrusion.



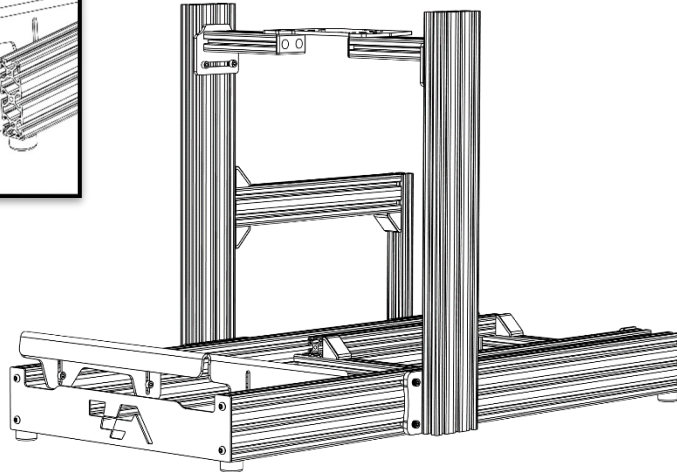
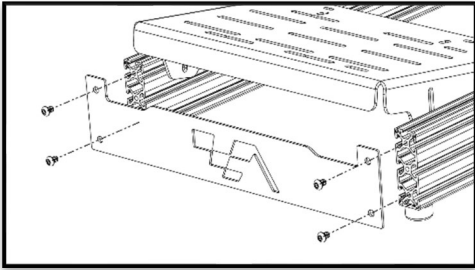
27.

Slide the corner gusset through the bottom of the 3" X 19" extrusion and the shifter bracket through the highest side slot of the 4.5" X 50". Tighten fully. Tighten the 2 corner gussets attached to the up-post as well.



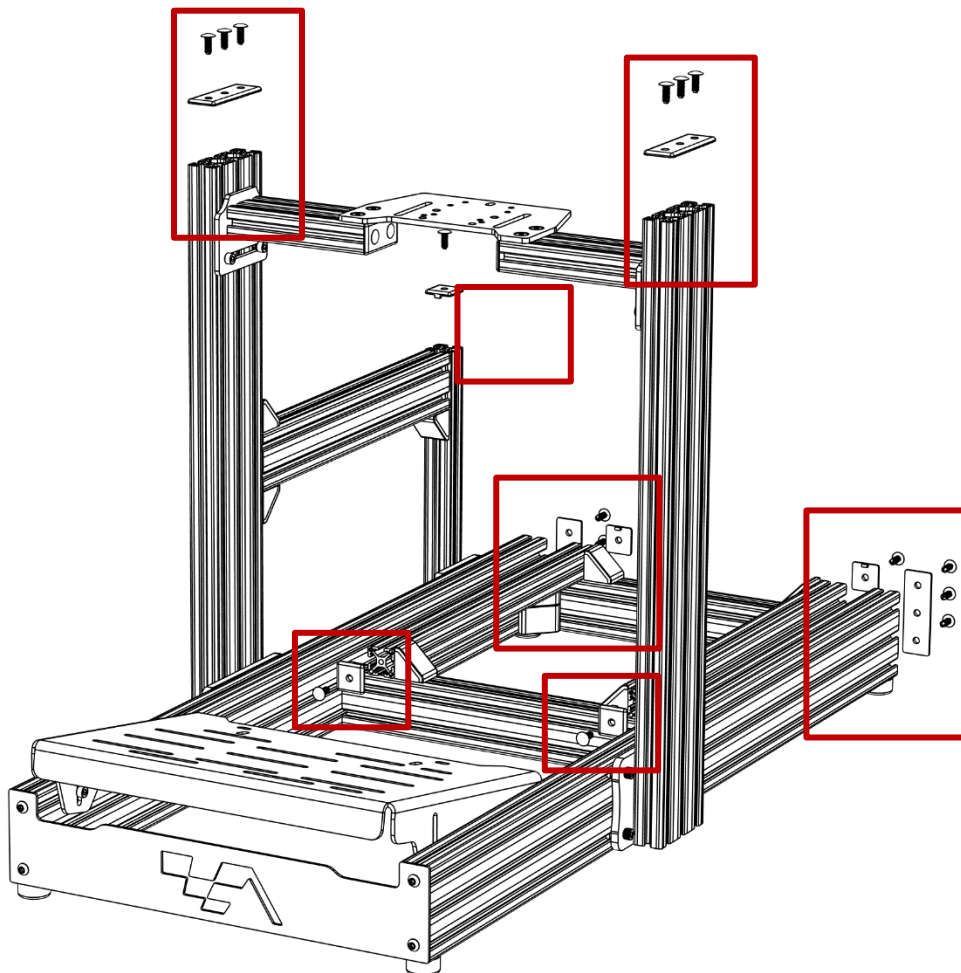
28.

Install the front plate using 4X M8 button head screws. Tighten Fully.



31.

For the finishing touches, cap all the visible open extrusion ends using the corresponding endcap and pushpins.



Congratulations on your new ASR4 Simracing Chassis!

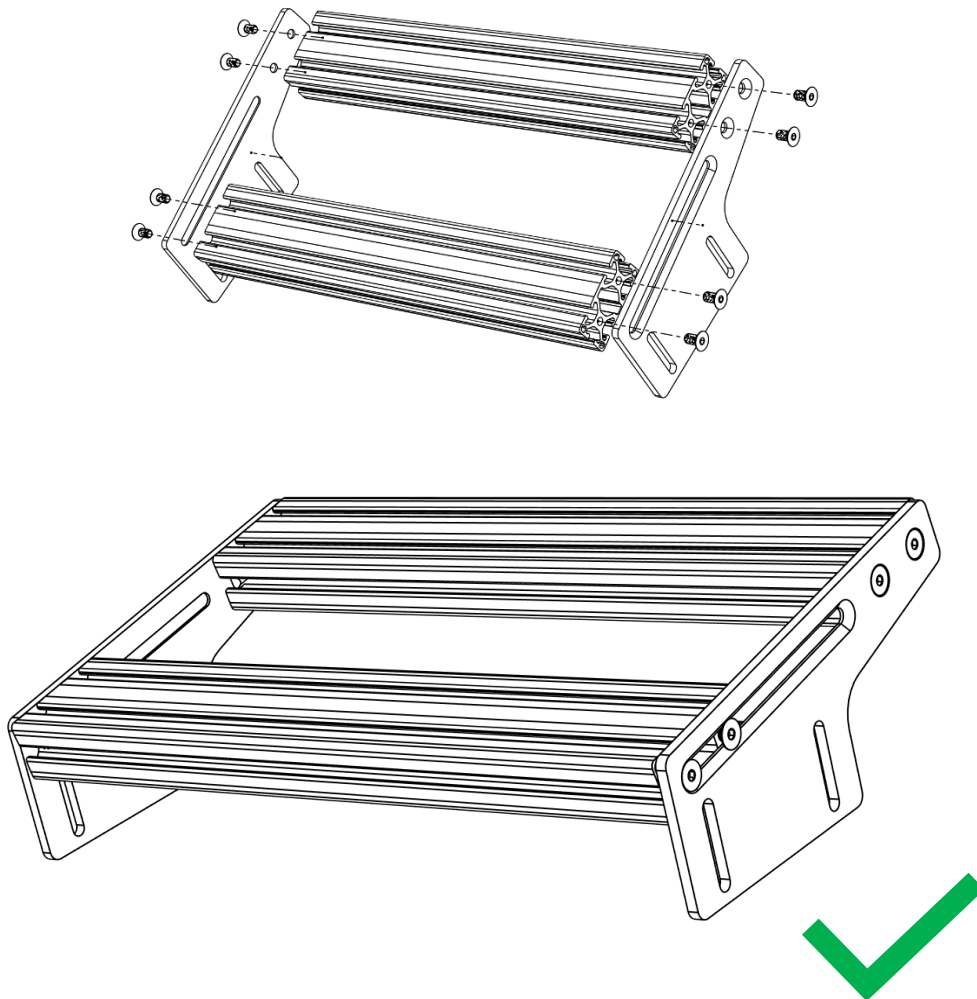


Pedal Tray

The steel pedal tray requires no assembly. Can't say that about the aluminium one though! Follow the steps here before completing your ASR4 if you've got the aluminium pedal tray.

1.

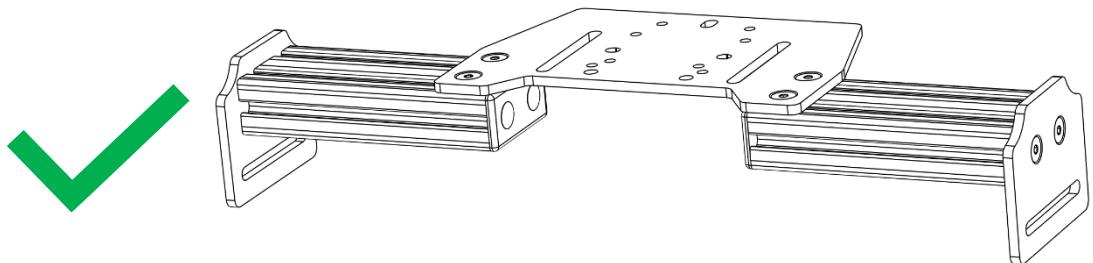
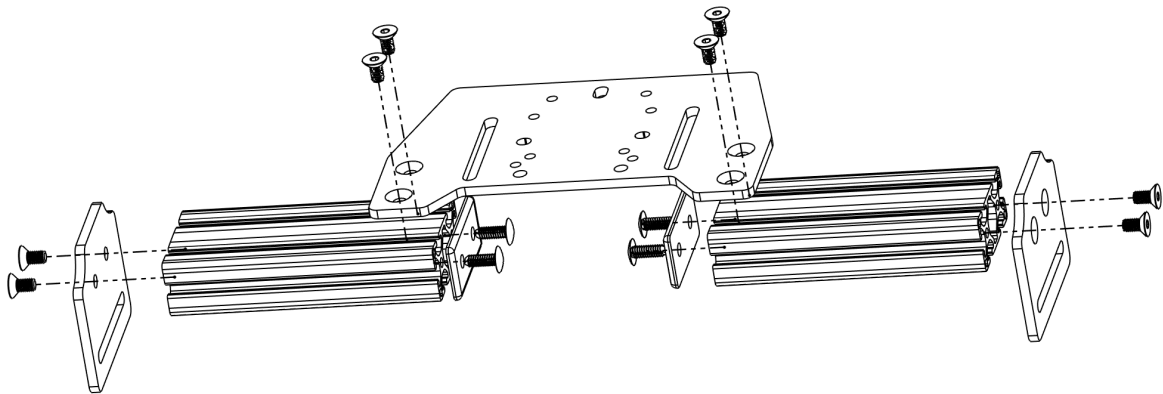
Assemble the Pedal Tray sides with the 3" X 18.5" extrusions using 8 M8 flat head screws. Tighten fully the topmost extrusion and leave the bottom one slightly loose until your pedals are installed.



Wheel Deck

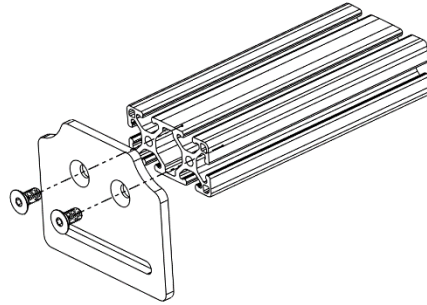
Standard Wheel Deck

1. Assemble the side plate to the 3" X 7.5" extrusion using 2X M8 X 16 flat head screws. Repeat for both sides, tighten fully.
2. Using 4X M8 X 12 flat head screws and 4X M8 T-Nuts, install the wheel plate as shown below. Tighten fully only after installing the wheel deck on the chassis.
3. Install the end caps in the middle using 2 pushpins each. Press hard and-or use a rubber mallet to ensure no vibration from the caps.

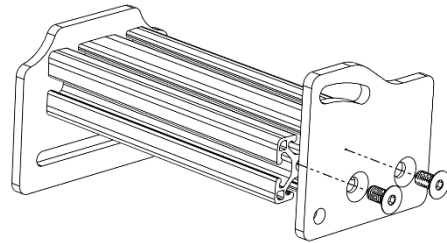


Front Mount Wheel Deck

1. Assemble the side plate to the 3" X 7.5" extrusion using 2X M8 X 16 flat head screws. Repeat for both sides, tighten fully.

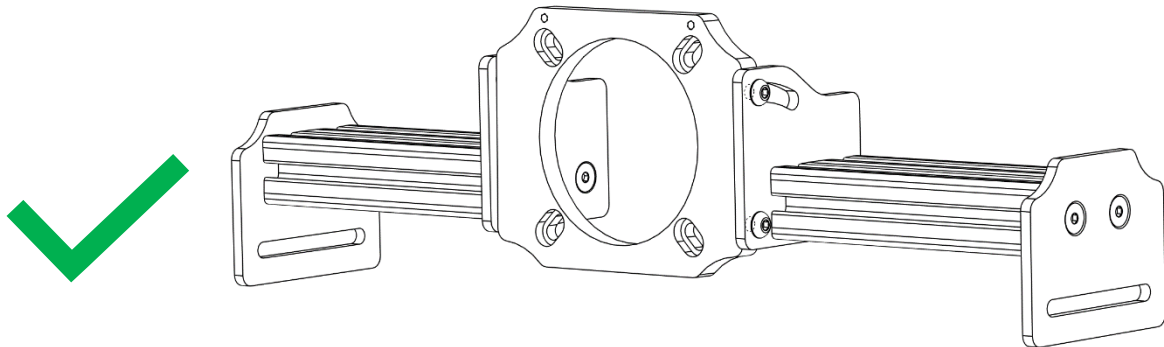
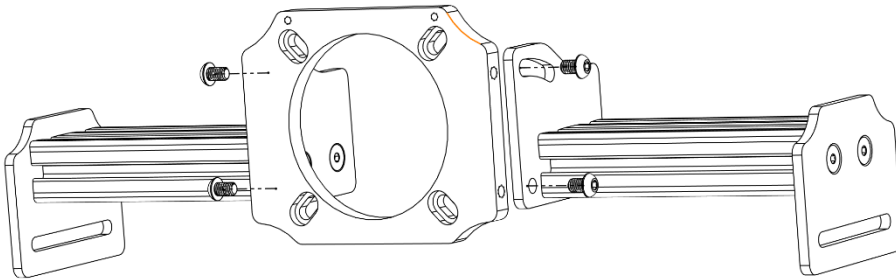


2. Assemble the center plate to the 3" X 7.5" extrusion using 2X M8 X 16 flat head screws. Repeat for both sides, tighten fully.



(Stop here for a side mounted wheelbase)

3. Assemble the front plate to the center plates using 4X M8 X 12 button head screws. Repeat for both sides, tighten fully.



Adjustable feet Add-on

The Aluminium pedal tray package also includes adjustable feet. They slightly improve ingress in the cockpit by raising the chassis higher and allows level compensation for an uneven man cave floor.

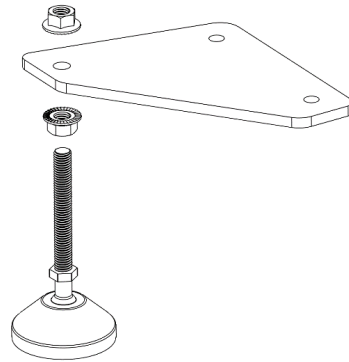
1.

The feet will assemble as such.

Assemble them at the same height first,

Make sure to have 2 mirrored and not

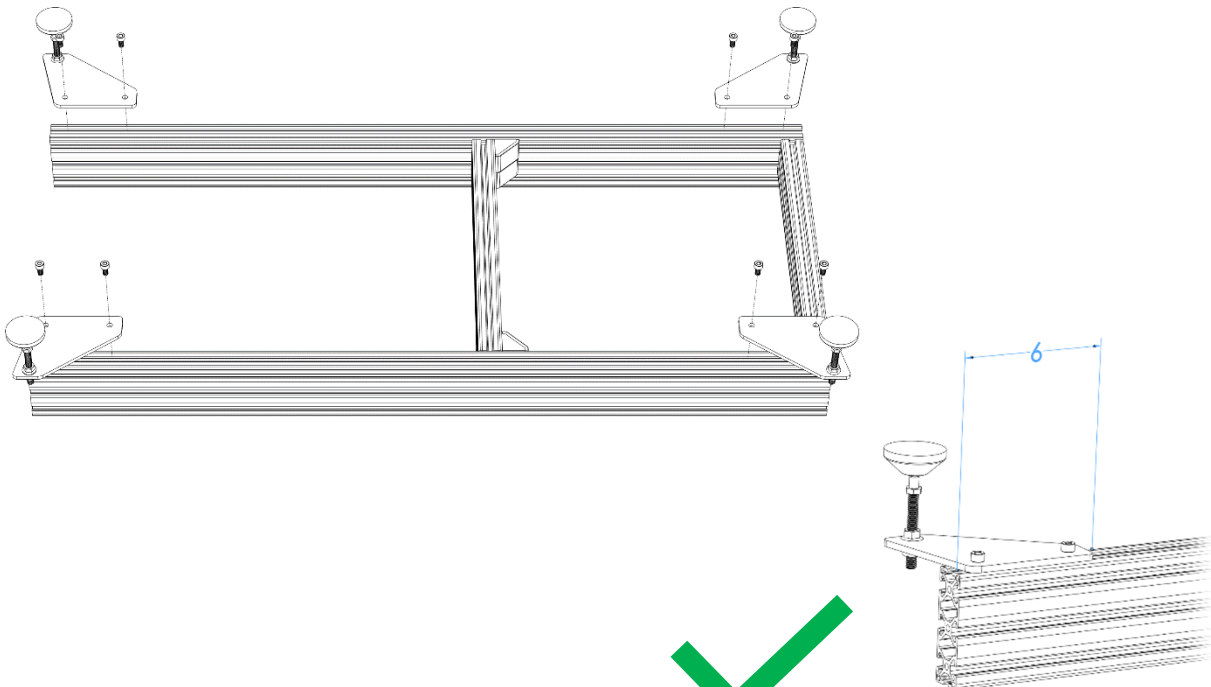
all 4 on the same side!



2.

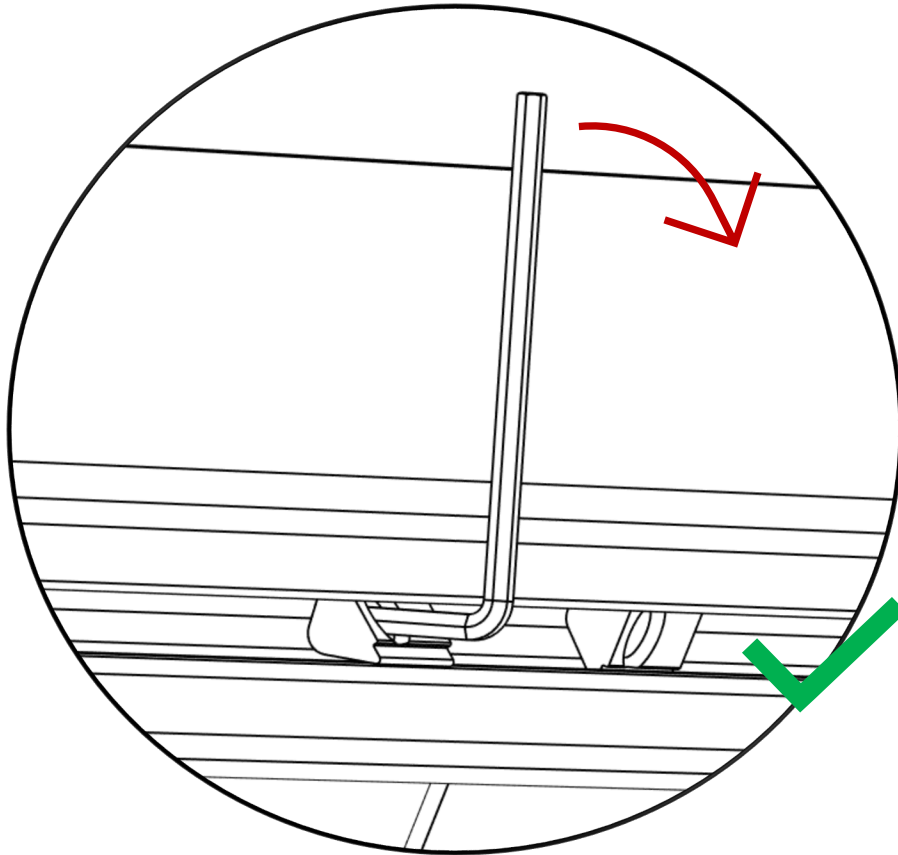
With the platform upside down (or on its side if you're adding the feet and not doing a fresh chassis assembly) insert 2 X M8 t-nuts at every corner, spaced about 4" and screw the plates using 2X M8 X 16mm socket screws per foot.

Tighten fully the feet plates with the far edge approximately at 6" from the end of the chassis.



T-Nut install tip

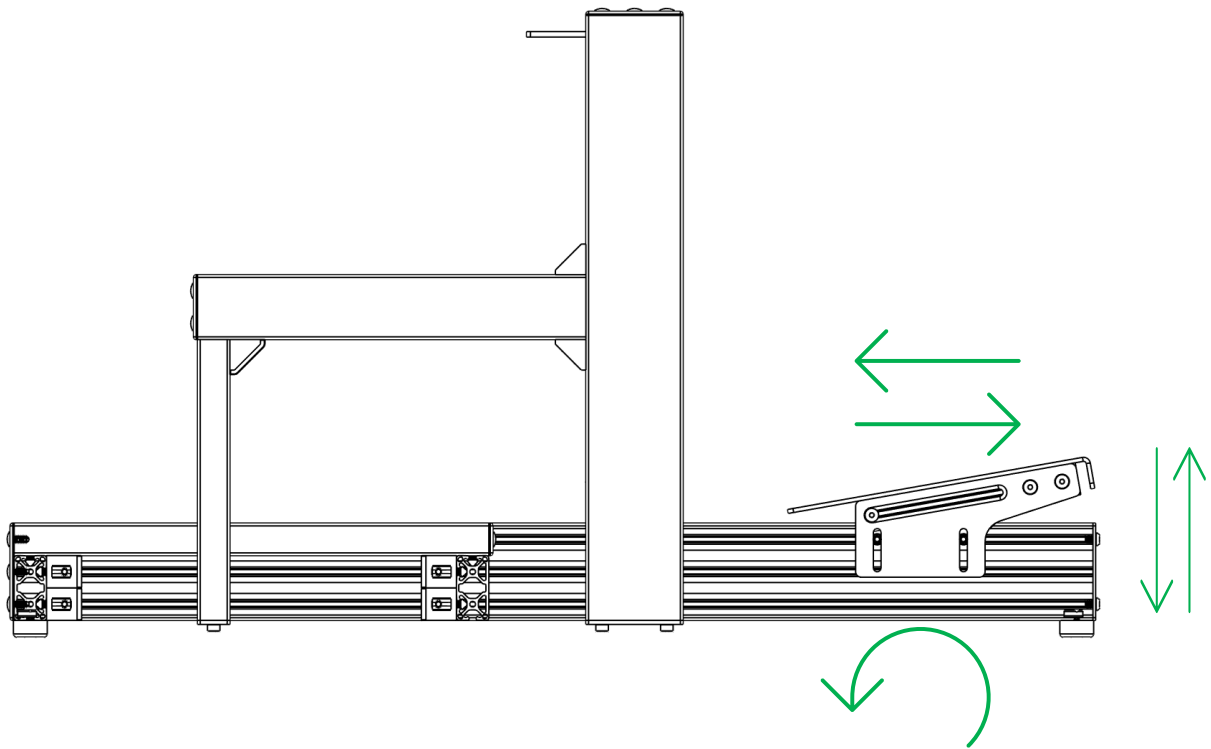
Insert an M8 T-Nut in the desired slot of the extrusion. Insert the T-nut perpendicular, and with the help of a small allen key in your attire such as a 3mm, pry the T-nut straight with the allen key through the hole. The t-nut will snap into place when in position. This technique is used throughout our assembly methods and may be used for installing supplementary accessories.



User Guide

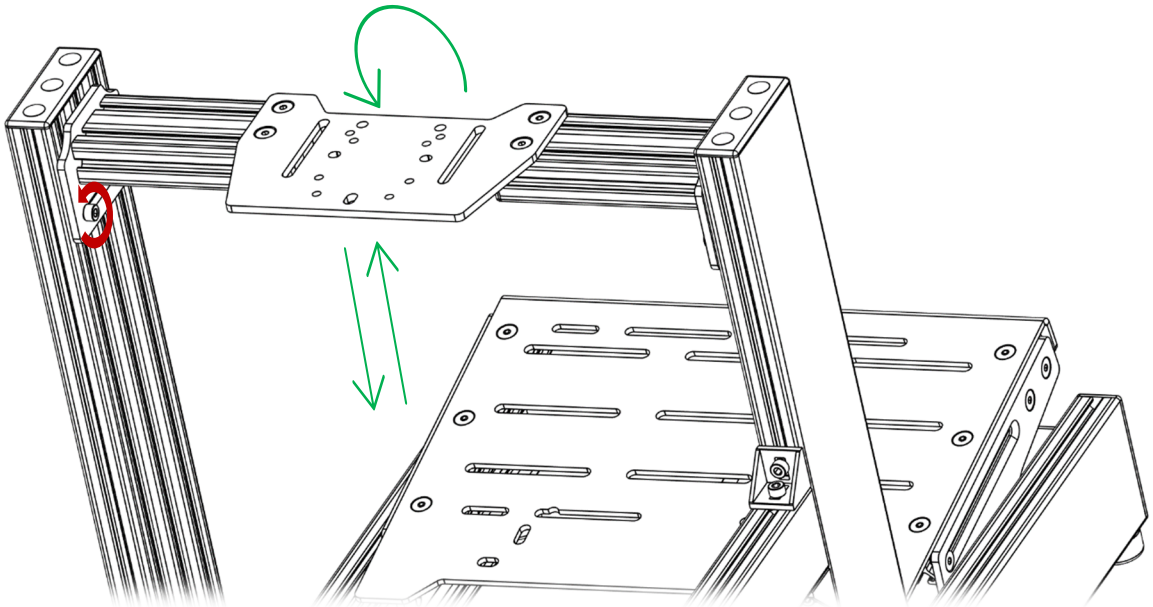
Pedal tray adjustment

Both aluminium and steel pedal tray are adjusted in the same fashion. You can slide the T-nut/screw assembly either through the bottom, middle or top channel of the extrusion, and you can position it however high or low. Make sure to have your pedals already properly setup before placing the pedal tray! Tighten fully the 4 screws holding the pedal tray before use, you may want to verify a second time just to be sure.

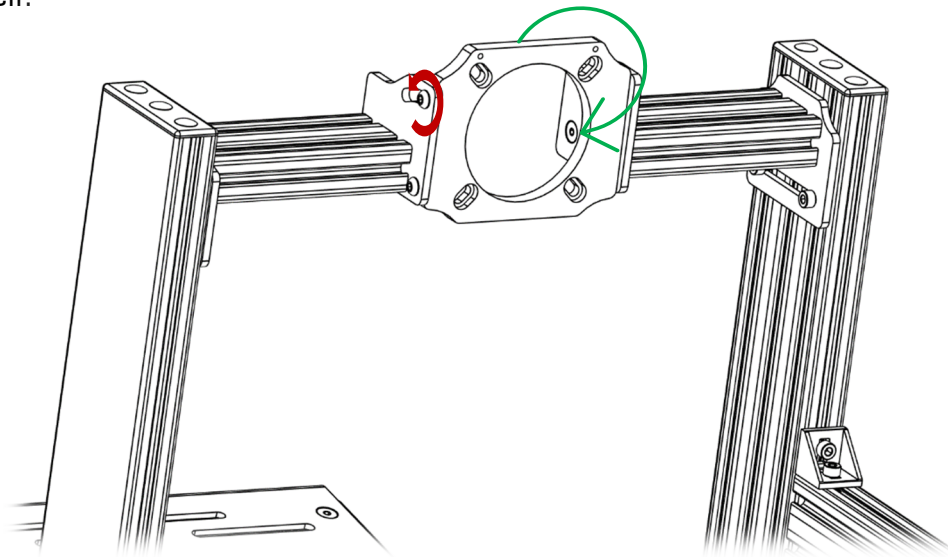


Wheel deck adjustment

The standard wheel deck can be adjusted using the Up Post brackets. With your wheel installed, loosen 3 out of the 4 screws and place yourself in the rig. Slowly loosen the last screw until you feel the wheel deck moving. It will most probably drop with the weight of the wheel so be careful! You can then place the wheel according to your preference in height and angle and tighten when the position is satisfactory.



The direct drive mount can be adjusted the same way, plus some angle on the base itself.



Accessories

Have you thought about accessories? Mounting plates for your shifter or handbrake, keyboard tray, cable management brackets, etc. We got you.

Have a look through our catalog!

<https://www.advancedsimracing.com/collections/accessories-parts-for-the-chassis>